

September 1996

Version 1.0

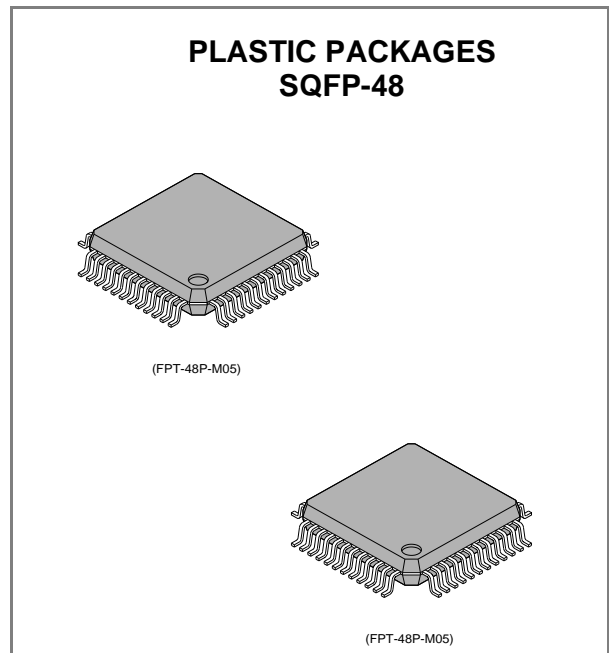
MB582A and MB583A 155-Mbps SDH/SONET ATM Transceiver

FML/NPD/XCVRS/FL/1320

The MB582A and MB583A form a transceiver chip set used for high-speed, point-to-point communications over optical fibers such as in ATM (Asynchronous Transfer Mode), SDH (Synchronous Digital Hierarchy), and SONET (Synchronous Optical Network).

The MB582A transmitter chip generates a high-frequency clock signal from a low-frequency reference clock signal using an internal phase-locked loop (PLL). With the generated clock, the MB582A multiplexes eight-channel parallel data into single-channel serial data.

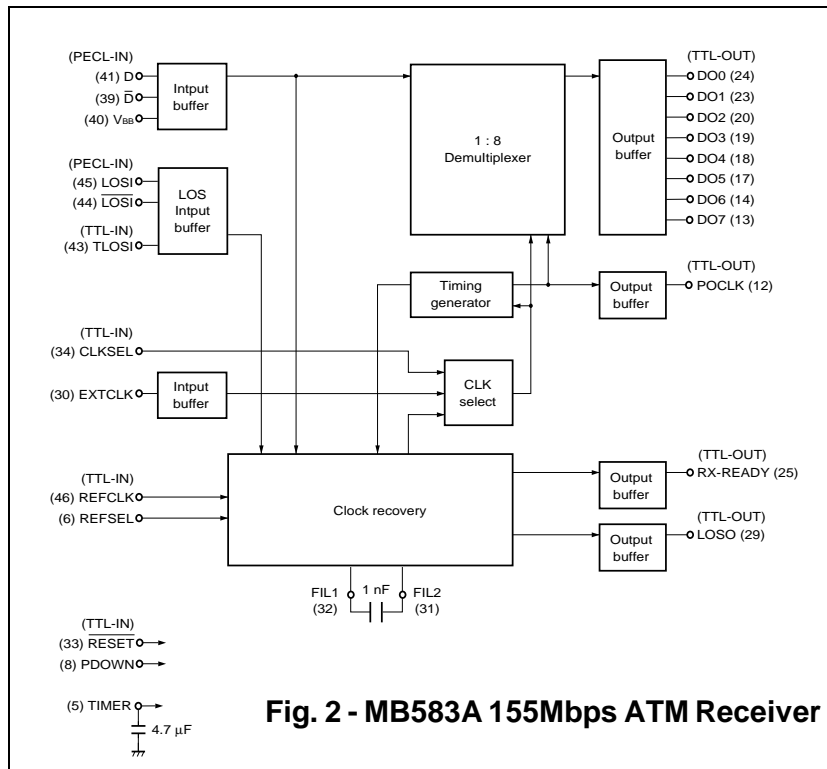
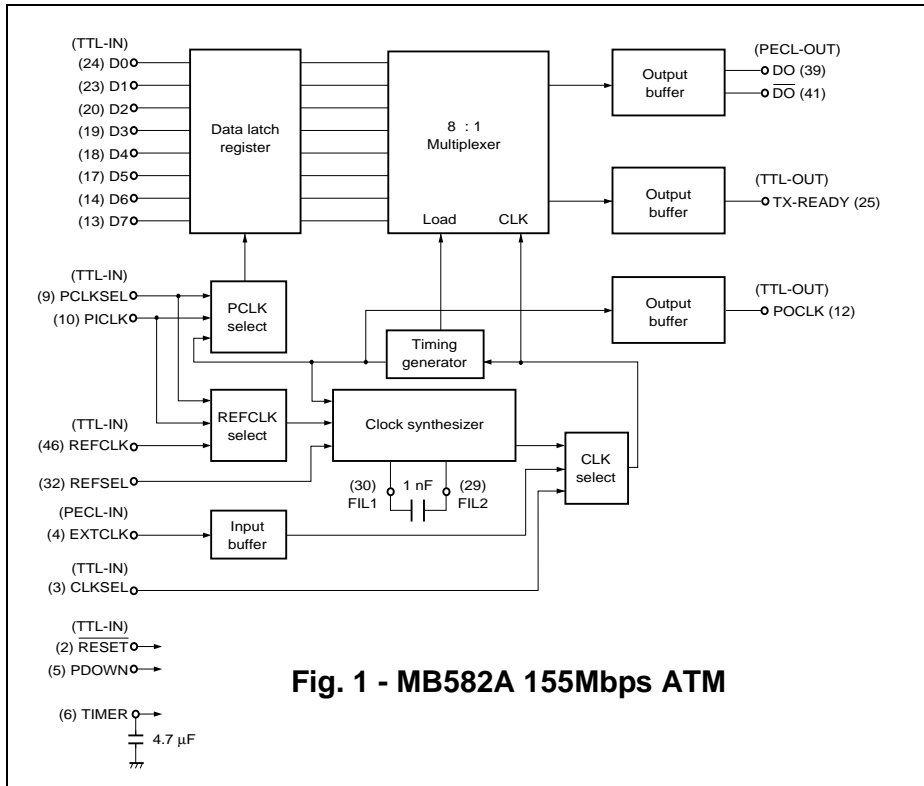
The MB583A receiver chip extracts and regenerates the regenerated clock signal from received serial data using an internal PLL. With the regenerated clock, the MB583A demultiplexes single-channel serial data into eight-channel parallel data.



FEATURES

- Applicable to ATM, SDH, and SONET
- 155.52-Mbps serial data transmission
- Internal PLL
- Two reference clocks available (19.44 MHz and 51.84 MHz)
- PECL serial interface plus TTL parallel interface
- Directly connectable to ATM network termination controller (MB86683B NTC)
- Sleep mode with no signal
- Low power consumption, extended operating temperature range (–40°C to +85°C)
- High-speed bipolar technology
- Single +5 V power supply

MB582A and MB583A 155-Mbps SDH/SONET ATM Transceiver



MB582A and MB583A 155-Mbps SDH/SONET ATM Transceiver

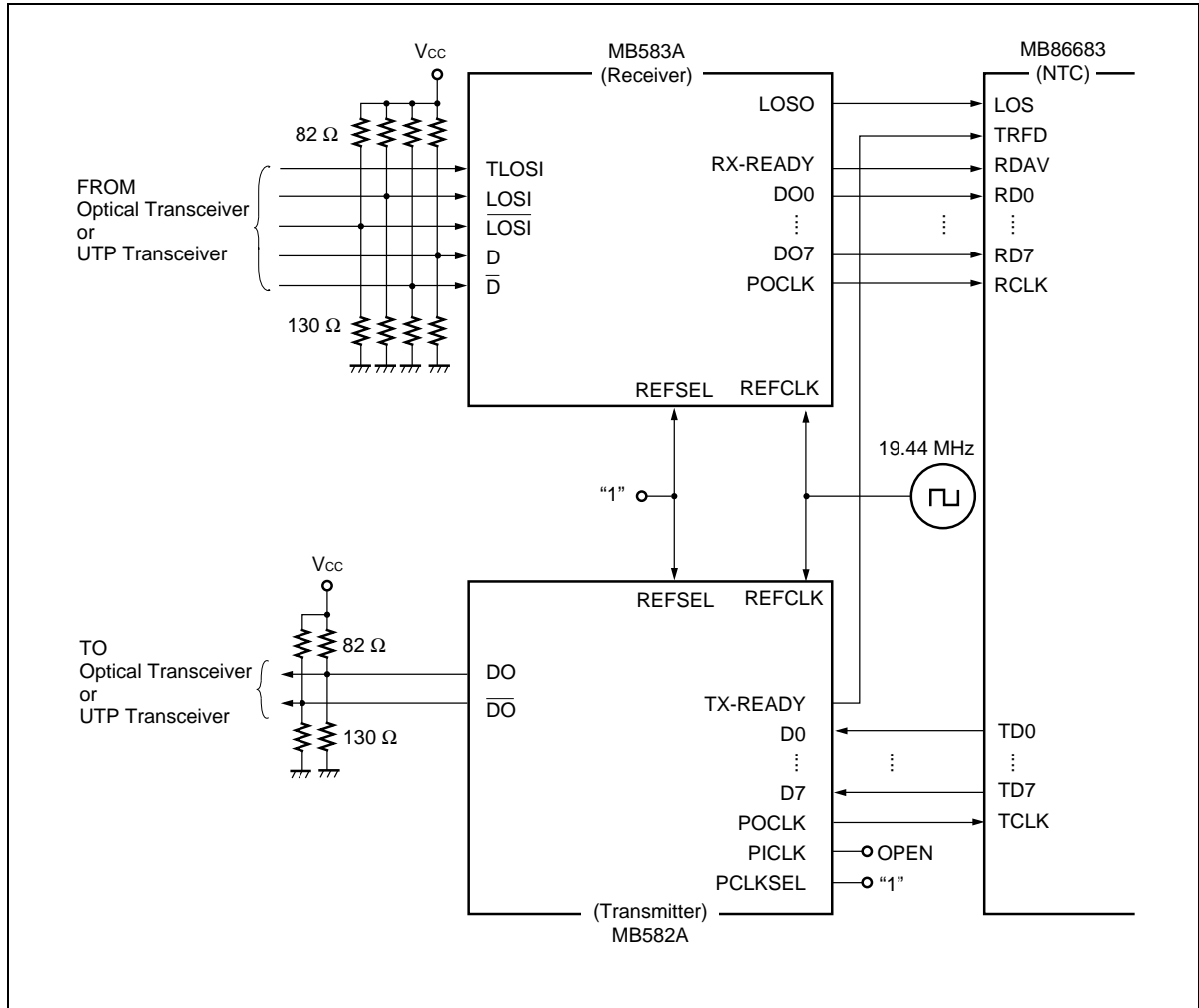


Fig. 3 - MB582A/583A Application Example

DEVICE SUMMARY

Part number	Function	Serial data transmission rate	Transmission code	Transmission medium	Power consumption
MB582A	Transmitter	155.52 Mbps	NRZ	Optical, UTP5	0.25 W
MB583A	Receiver	155.52 Mbps	NRZ	Optical, UTP5	0.3 W

This device contains circuitry to protect the inputs against damage due to high static voltages or electric fields. However, it is advised that normal precautions be taken to avoid application of any voltage higher than maximum rated voltages to this high impedance circuit.

MB582A and MB583A 155-Mbps SDH/SONET ATM Transceiver

Worldwide Headquarters

Japan

Fujitsu Limited

Tel: +81 44 754 3753

Fax: +81 44 754 3332

1015 Kamiodanaka
Nakaharaku
Kawasaki 211
Japan

<http://www.fujitsu.co.jp/>

Asia

Tel: +65 336 1600

Fax: +65 336 1609

<http://www.fsl.com.sg/>

Fujitsu Microelectronics Asia PTE Limited

No. 51 Bras Basah Road
Plaza by the Park
#06-04/07
Singapore 0718

USA

Tel: +1 408 922 9000

Fax: +1 408 922 9179

Fujitsu Microelectronics Inc
3545 North First Street
San Jose CA 95134-1804
USA

Tel: +1 800 866 8608

Fax: +1 408 922 9179

Customer Response Center
Mon-Fri: 7am-5pm (PST)

<http://www.fujitsumicro.com/>

Europe

Tel: +49 6103 6900

Fax: +49 6103 690122

<http://www.fujitsu.ede.com/>

Fujitsu Mikroelektronik GmbH

Am Siebenstein 6-10
D-63303 Dreieich-Buchschlag
Germany

This document is proprietary to Fujitsu. No part of this document may be copied or reproduced in any form or by any means, or disclosed or transferred to any third party without written prior consent of Fujitsu.

The information contained in this document has been carefully checked and is believed to be reliable. However, Fujitsu assumes no responsibility for inaccuracies.

The information contained in this document does not convey any title or licence under the copyright, patent rights or trade marks claimed and owned by Fujitsu or its licensors.

Fujitsu reserves the right to change specifications without notice.