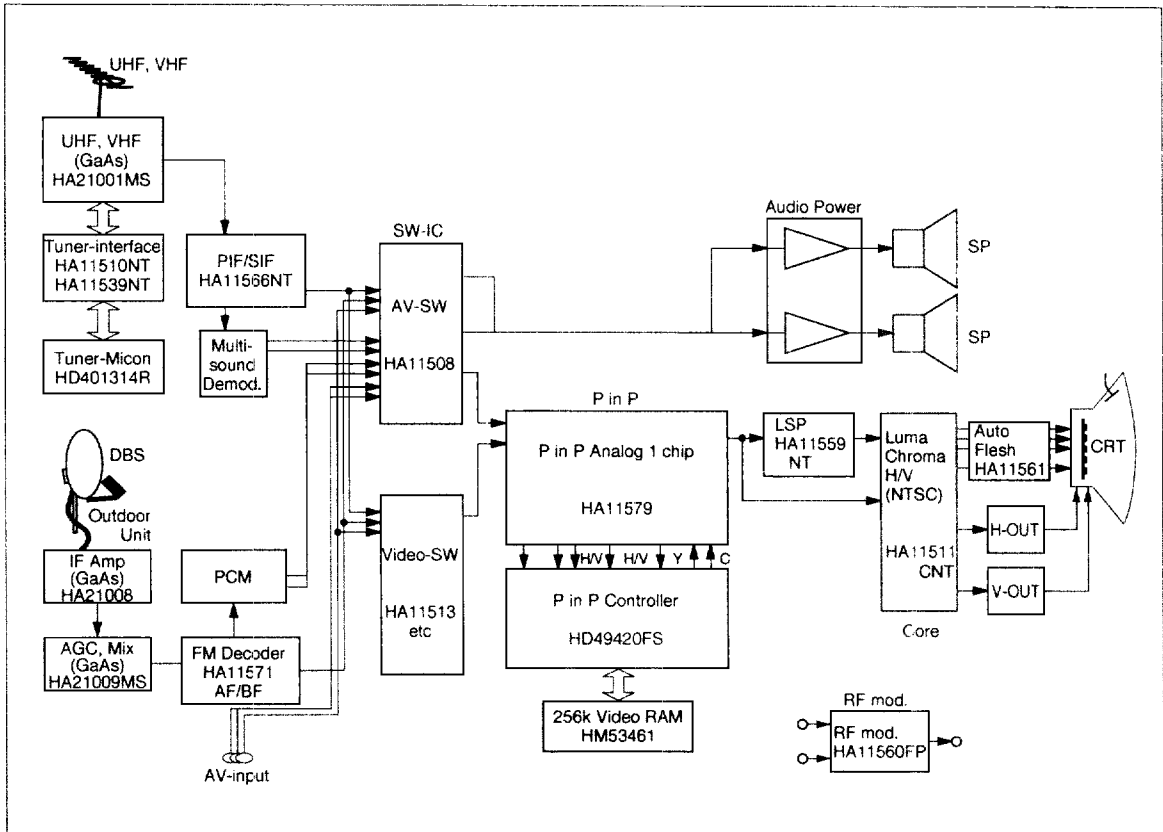


Quick Reference Guide

TV Applications



Quick Reference Guide

DBS Tuner

Product Code	Package	Functions			Supply Voltage (V)	Remarks
		RF Amp	Mix	FM Demod.		
HA21005	MPAK-4	✓	—	—	9	GaAs IC
HA21008	MPAK-4	✓	—	—	9	GaAs IC
HA21006MP	MP-18	—	✓	—	9	GaAs IC
HA21009MS	MP-18	—	✓	—	9	GaAs IC
HA11571AF/BF	FP-28T	—	—	✓	5	

Tuner/Interface ICs

Product Code	Package	Functions				Supply Voltage (V)	Remarks
		OSC	Mixer	Interface	Remote Control Preamplifier		
HA21001MS	MP-18	✓	✓	—	—	9	GaAs
HA11510NT	DP-30S	—	—	✓	✓	12	On-chip +31-V reference tuner
HA11539NT	DP-22NS	—	—	✓	—	12	

Microcomputer

Product Code	Package	Functions				Supply Voltage (V)	Remarks
		OSD	Timer	14-Bit D/A Converter	EEPROM		
HD401314R	DP-42S	✓	✓	✓	✓	5	3.5-kbyte ROM

PIF/SIF ICs

Product Code	Package	Functions					Supply Voltage (V)	Remarks
		SIF	PIF	Inter-Carrier	Split Carrier	PLL		
HA1124	DP-14	✓	—	—	—	—	12	
HA11440A	DP-16	—	✓	—	—	—	12	
HA11485BNT	DP-30S	✓	✓	✓	—	—	12	
HA11566NT	DP-22S	✓	✓	—	✓	✓	9	

Quick Reference Guide

Luminance/Chroma/Synchronization ICs

Product Code	Package	Functions				Supply Voltage (V)	Remarks
		Luminance	Chroma	Horizontal Sync.	Vertical Sync.		
HA11247	DP-16-2	—	✓	—	—	12	
HA11465A	DP-16-2	✓	—	—	—	12	
HA11431/NT	DP-28 DP-30S	✓	✓	—	—	12	
HA11511CNT	DP-42S	✓	✓	✓	✓	9	
HA11423/MP	DP-16-2 MP-18	—	—	✓	✓	12	
HA11441/MS	DP-16-2 MP-18	—	—	✓	✓	5	

RF Modulators

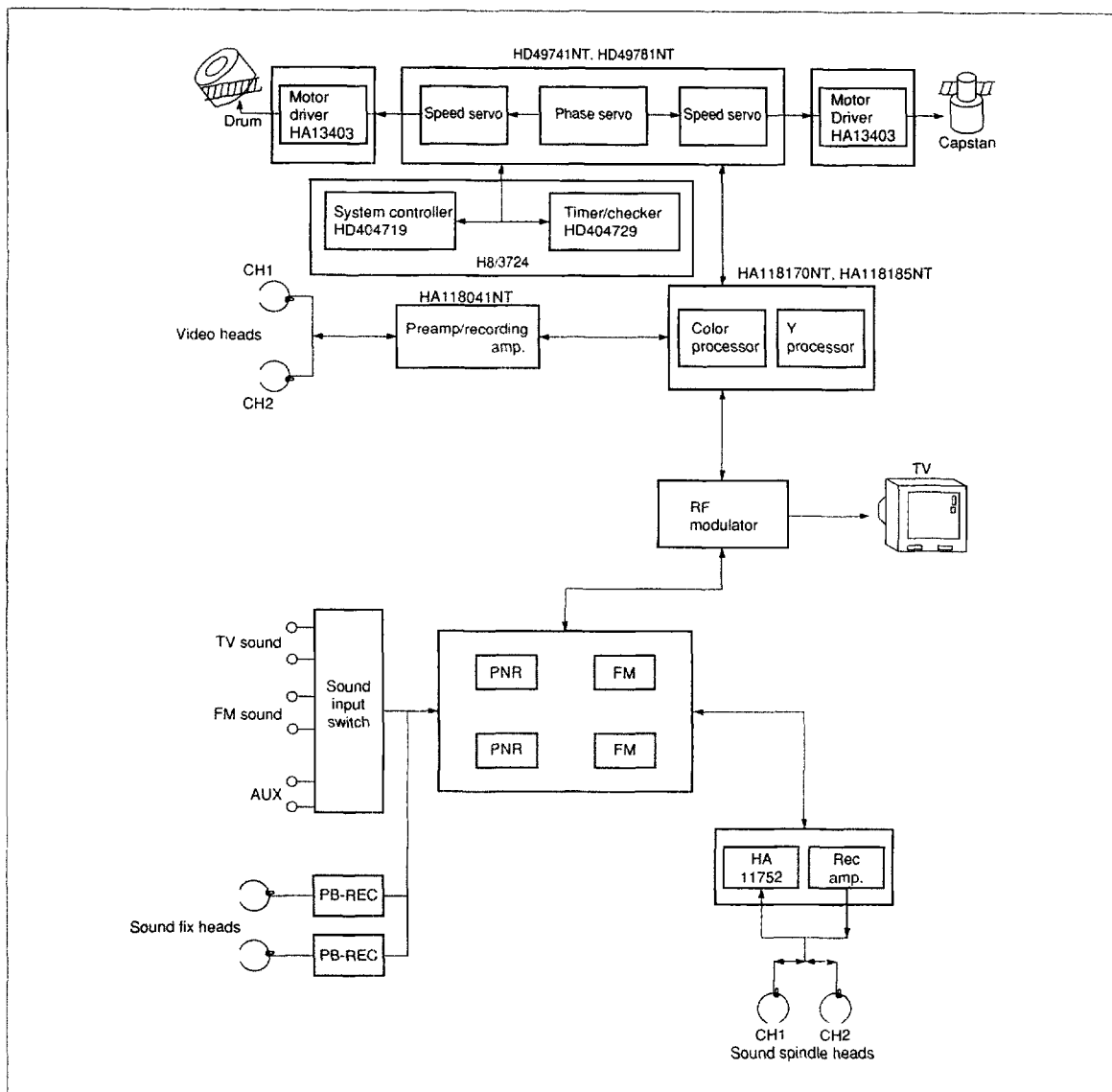
Product Code	Package	Functions			Supply Voltage (V)	Remarks
		RF Modulation	ANT-SW	Low Spurious		
HA11466S	DP-16C	✓	—	—	5	
HA11545A	DP-16C	✓	✓	—	5	
HA11560FP	FP-16D	✓	✓	✓	5	

Switching ICs

Product Code	Package	Functions					Supply Voltage (V)	Remarks
		Circuits	Connec- tors	Video f Char. (Mrg)	Video Gain (dB)	Video Clamp		
HA11508	DP-20	3	3	10-	6	—	12	2 circuits are for audio
HA11513	DP-16C	1	5	5-	6	✓	12	With monitor output
HA11544/FP	DP-16 FP-16DA	1	4	—	0	✓	5	For video A/D converter input
HA118058	DP-16	3	2	10-	0	—	12	
HA118059/FP	DP-16 FP-16DA	3	2	10-	0	—	5	
HA118070/FP	DP-8 FP-8D	1	2	10-	0, 6, 10	—	5	Selectable gain
HA118104/FP	DP-16 FP-16DA	3	2	10-	6	✓	5	

Quick Reference Guide

VCR Applications



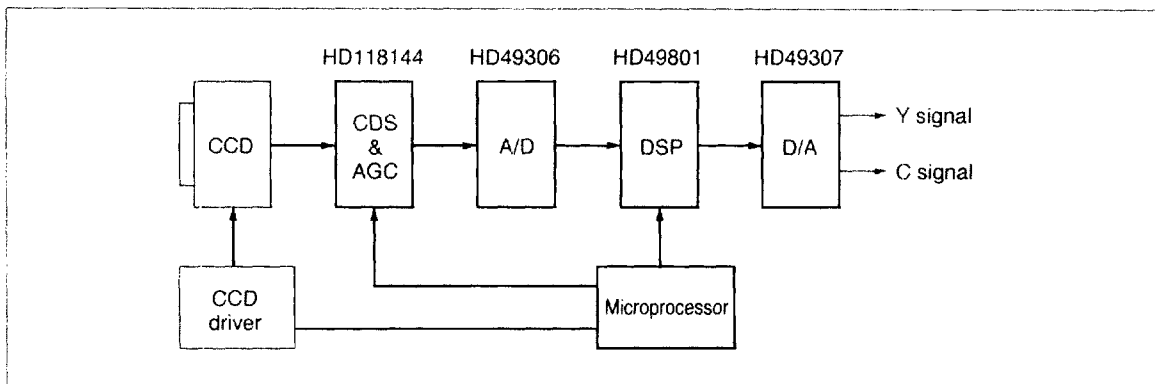
Quick Reference Guide

Lineup of VCR ICs

Class	Product Code	Package	Function
Preamplifier	HA11804INT	DP-22	Reproduction/recording amplifier (2-channel)
	HA118162NT	DP-30S	Preamplifier (4-channel)/recording amplifier with AGC (for DA4)
	HA118167	FP-48	Preamplifier (4-ch)/recording amplifier (for small dia. and DA4)
Brightness	HA118044NT/MP	DP-42S MP-44	1-chip brightness signal processor (with filter)
Color	HA118170F/NT	DP-56S	1-chip color and brightness signal processor with filter
	HA118185F/NT	FP-56	
Servo	HD49781NT	DP-56S	Digital servo (for wide aspects)
	HD49741NT	DP-56S	Digital servo (with on-chip ROM)
Others	HA118084/MP	DP-18 MP-18	S-VHS auto-selector
	HA118070/FP	DP-8 FP-8D	Bias switching amplifier
	HA118104/FP	DP-16 FP-16DA	3-circuit, 2-connector bias switching amplifier
	HA118175	DP-8	1-ch switch
	HD49783/FP	DP-16 FP-16DA	Serial to parallel conversion
Motor driver	HA13403	SP-23T	3-phase motor driver

Quick Reference Guide

Video Camera Applications



Product Code	Package	Function
HA11883MP	MP-18	PAL/NTSC encoder
HA11844BMP	MP-28	Auto white (automatic tracking)
HA11898MP	MP-44	4-channel process amplifier
HA118025MP	MP-44	4-channel process amplifier and encoder
HA118056MP	MP-28	Auto white balance
HA118118MA	MP-44S	Auto white balance
HA11899MP	MP-28	Auto white (automatic tracking)
HD44007A	DP-28	SSG (NTSC, PAL, BSECAM)
HD440072	DP-28	SSG (NTSC, PAL, BMN, SECAM)

Product Code	Package	Function
HA118121	FP-16D	EVF
HA118120MA	MP-44S	CDS, AGC, Color Sept.
HA118142MA	MP-44S	4-ch Process/Auto white balance
HA118144AF	FP-48	CDS, AGC
HD49306AFS HD49318F	FP-48	9-bit A/D converter
HD49307	FP-56	8-bit D/A converter (3-ch)
HD49801FB	FP-100B	Digital signal processing